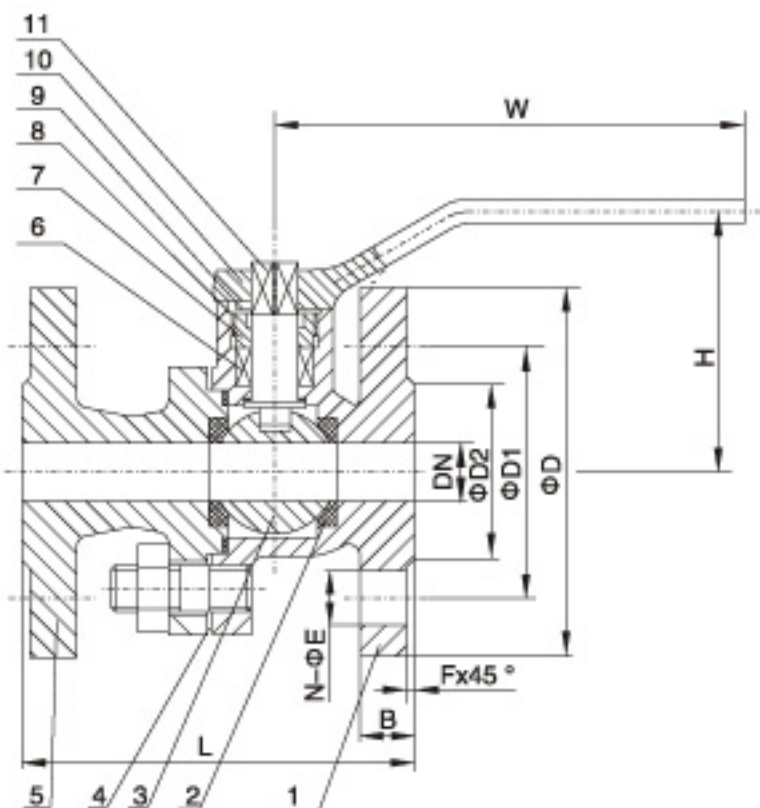


BLV01 DIN Ball Valve



Application:

The ball valve is applied in the pipeline of water-supplying, steam, oil, gas, liquified gas, natural gas, coal gas, chemical as the throttling-off or flow controlling equipment.

Operator option: manual handle, worm gear, pneumatic or electric actuators.

Design standard conform to: ANSI/AWWA C507

Face to face conform to: ANSI B16.10, DIN 3202 F4

Connection flange conform to: ANSI B 16.1, ANSI B16.5, DIN PN10, DINPN16

Test and inspection conform to: API598

Main dimensions (mm)

DN	DIN2532 PN10					DIN2532 PN16					L DIN F4	F	W	H
	ΦD	$\Phi D1$	N- ΦE	B	$\Phi D2$	ΦD	$\Phi D1$	N- ΦE	B	$\Phi D2$				
25	115	85	4- $\Phi 14$	16	68	115	85	4- $\Phi 14$	16	68	125	2	229	102
32	140	100	4- $\Phi 18$	18	78	140	100	4- $\Phi 18$	18	78	130	2	305	115
40	150	110	4- $\Phi 18$	18	88	150	110	4- $\Phi 18$	18	88	140	3	305	127
50	165	125	4- $\Phi 18$	20	102	165	125	4- $\Phi 18$	20	102	150	3	305	140
65	185	145	4- $\Phi 18$	20	122	185	145	4- $\Phi 18$	20	122	170	3	343	178
80	200	160	4- $\Phi 18$	22	138	200	160	8- $\Phi 18$	22	138	180	3	343	191
100	220	180	8- $\Phi 18$	22	158	220	180	8- $\Phi 18$	24	158	190	3	394	216
125	250	210	8- $\Phi 18$	24	188	250	210	8- $\Phi 18$	26	188	200	3	400	270
150	285	240	8- $\Phi 23$	24	212	285	240	8- $\Phi 23$	26	212	210	3	762	330
200	340	295	8- $\Phi 23$	26	268	340	295	12- $\Phi 23$	30	268	230	3	762	330
250	395	350	12- $\Phi 23$	28	320	405	355	12- $\Phi 27$	32	320	250	3	838	381
300	445	400	12- $\Phi 23$	28	370	460	410	12- $\Phi 27$	32	378	270	4	848	415
350	505	460	16- $\Phi 23$	30	430	520	470	16- $\Phi 27$	36	438	290	4	858	458
400	565	515	16- $\Phi 27$	32	482	580	525	16- $\Phi 30$	38	490	310	4	868	500
450	615	565	20- $\Phi 28$	32	538	640	585	20- $\Phi 31$	40	538	330	4	878	530
500	670	620	20- $\Phi 27$	34	585	715	650	20- $\Phi 33$	42	610	350	4	888	565
600	780	725	20- $\Phi 30$	36	685	840	770	20- $\Phi 36$	48	725	390	5	898	630

BLV02 ANSI Ball Valve



Main performance

Test pressure(psi)	Nominal pressure(psi)		
	150	250	300
Body test	225	375	450
Seat test(liquid)	165	275	330

Material list

NO.	Name	Material	Optional material
1	Body	Cast iron	Ductile iron, Cast steel , Stainless steel
2	Ball seat	PTFE	Nylon
3	Ball	Ductile iron+Ni	WCB, Stainless steel, PTFE
4	Washer	Stainless steel+Graphite	PTFE
5	Left body	Cast iron	Ductile iron, Cast steel, Stainless steel
6	Graphite ring	Graphite	PTFE
7	Gland	Ductile iron	Cast iron, Cast steel Stainless steel
8	Indicator	Cast steel	Stainless steel
9	Circlip	Cast steel	Stainless steel
10	Lever	Ductile iron	—————
11	Shaft	Stainless steel	—————

Main dimensions (mm)

DN	ANSI B16.1 CL125				ANSI B16.5 CL150				L B16.10	W	H
	ΦD	ΦD1	N-Φ E	B	ΦD	ΦD1	N-Φ E	B			
25	108	79.5	4-Φ 16	11	108	79.5	4-Φ 16	14	127	229	102
32	117	89	4-Φ 16	13	117	89	4-Φ 16	16	140	305	115
40	127	98.5	4-Φ 16	14	127	98.5	4-Φ 16	18	165	305	127
50	152	120.5	4-Φ 19	16	152	120.5	4-Φ 19	19	178	305	140
65	178	139.5	4-Φ 19	18	178	139.5	4-Φ 19	22	190	343	178
80	191	152.5	4-Φ 19	19	191	152.5	4-Φ 19	24	203	343	191
100	229	190.5	8-Φ 19	24	229	190.5	8-Φ 19	24	229	394	216
125	254	216	8-Φ 22	24	254	216	8-Φ 22	24	356	400	270
150	279	241.5	8-Φ 22	25	279	241.5	8-Φ 22	25	394	762	330
200	343	298.5	8-Φ 22	29	343	298.5	8-Φ 22	29	457	762	330
250	406	362	12-Φ 25	30	406	362	12-Φ 25	30	533	838	381
300	483	432	12-Φ 25	32	483	432	12-Φ 25	32	610	848	415
350	533	476	12-Φ 29	35	533	476	12-Φ 29	35	686	858	458
400	597	539.5	16-Φ 29	37	597	539.5	16-Φ 29	37	762	868	500
450	635	578	16-Φ 32	40	635	578	16-Φ 32	40	864	878	530
500	699	635	20-Φ 32	43	699	635	20-Φ 32	43	914	888	565
600	813	749.5	20-Φ 35	48	813	749.5	20-Φ 35	48	1067	898	630